

auto electrical parts

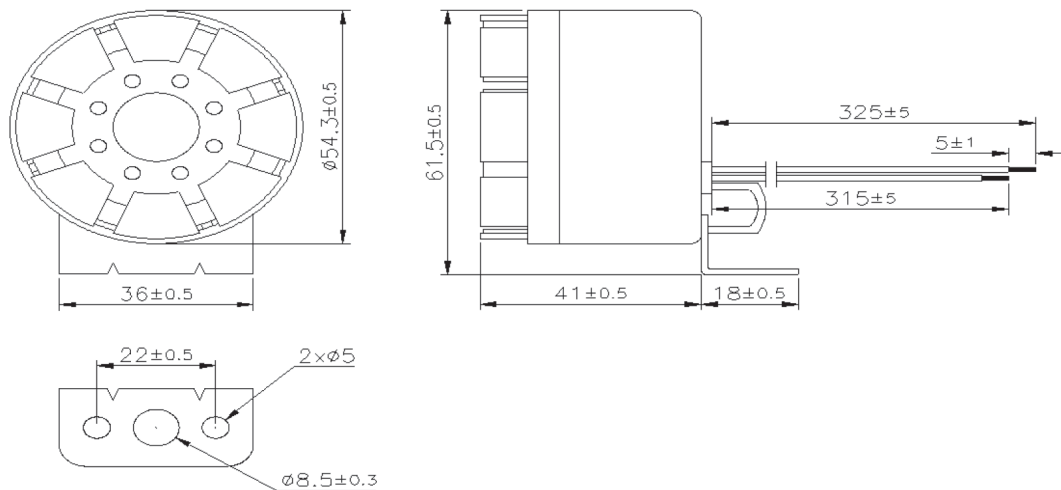
Technical Information Sheet

Part No. 0-561-74

Durite Alarm, Back Up Night Silent 105dB(A)
24 volt. CE Approved



Technical Drawing (not to scale)



Specification

Type	Back Up Alarm
Voltage	24VDC
Weight	0.090Kg
Material	ABS 757
Dimensions	See above
Certificate	CE

The information contained in this document is correct to the best of our knowledge at the time of printing. However, specifications may change at any time without notice.